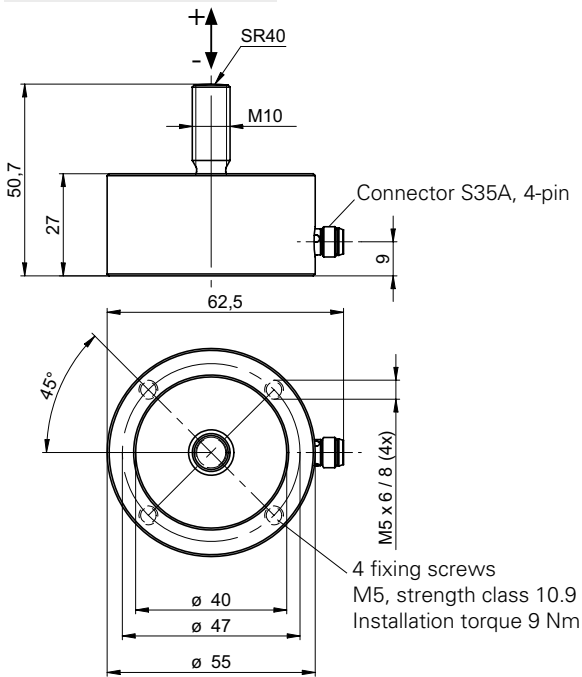
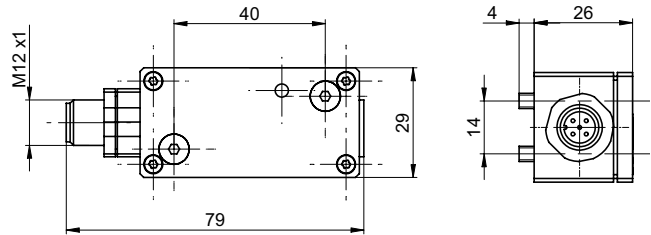


Dimensions (mm)

Load cell



Amplifier DABx AD2T



Electrical Connection

DLRU

14C



Pin	
1	+Vs
2	-V _{OUT}
3	GND
4	+V _{OUT}
5	Reset
Housing	⊥

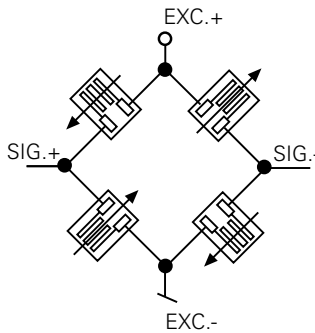
DLRI

14C



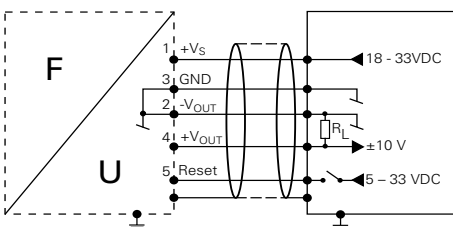
Pin	
1	+Vs
2	n.c.
3	GND
4	+I _{OUT}
5	Reset
Housing	⊥

Bridge Circuit



Wiring

DLRU



DLRI

