

Bellows suction cup (round)

FSGA 4 NBR-55 M3-AG

Part no.:10.01.06.04143

<https://www.schmalz.com/10.01.06.04143>

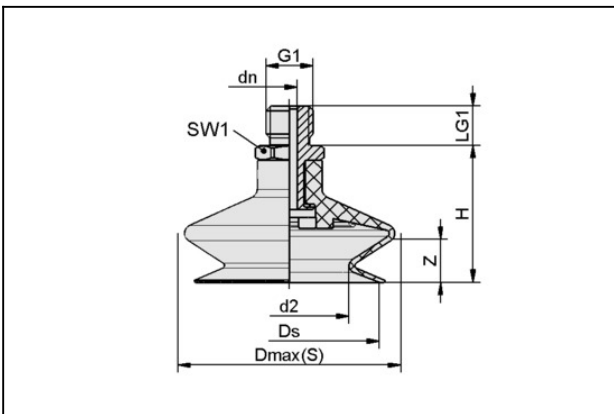
Homepage > Vacuum Technology for Automation > Vacuum Components > Vacuum Suction Cups > Bellows Suction Cups (Round) > Bellows Suction Cups FSGA (1.5 Folds) > FSGA 4 NBR-55 M3-AG

Bellows suction cup (round) with optimal adaptation to uneven surfaces



Size: 4
 Number of folds: 1.5
 Suction cup material:
 Nitrile rubber NBR
 Material hardness: 55 °Sh
 Nipple material: Aluminium
 Vacuum connection: M3-M

Design Data



Attribute	Value
d2	2.5 mm
Dmax(S)	5 mm
dn	1 mm
Ds	4 mm
G1	M3-M
LG1	3 mm
SW1	5 mm
Z (Stroke)	1.5 mm

Technical Data

Contact to Schmalz

Schmalz (Shanghai) Co. Ltd. | 1 Chun Quan Lu, Pudong Xinqu, Shanghai Shi, China | +86 21 5109 9933 | schmalz@schmalz.net.cn

Bellows suction cup (round)

FSGA 4 NBR-55 M3-AG

Part no.:10.01.06.04143

<https://www.schmalz.com/10.01.06.04143>

Attribute	Value
Pull-off force	0.5 N
Size	4
Nipple family	N 003
Suction cup material	Nitrile rubber NBR
Suction force	0.29 N
Volume	0.035 cm ³
Material hardness [Shore A]	55
Curve radius (min) (convex)	1.5 mm
Number of folds	1.5
Product family	FSGA

Note: Suction force: The specified suction forces are theoretical values at a vacuum of -0.6 bar and with a smooth, dry workpiece surface - they do not include a safety factor Pull-off force: The pull-off force of the versions made of natural rubber is reduced by about 40% Hose diameter: The recommended hose diameter refers to a hose length of approx. 2 m

Spare Parts



SA-NIP N003 M3-AG DN100

Part no.10.01.01.00316

Suction cup connection nipple

Nipple: N 003

Thread G1: M3-M

Overall length: 7.5 mm

Fitting length: 2 mm

Nominal size: 1.00 mm

Material: Aluminium

Bellows suction cup (round)

FSGA 4 NBR-55 M3-AG

Part no.:10.01.06.04143

<https://www.schmalz.com/10.01.06.04143>



FGA 4 NBR-55 N003

Part no.10.01.06.04066

Bellows suction cup (round) with optimal adaptation to uneven surfaces

Size: 4

Suction cup material:

Nitrile rubber NBR

Material hardness: 55 °Sh

Number of folds: 1.5