

Flat suction cup (round)

PFYN 15 VU1-72 G1/8-AG

Part no.:10.01.01.00556

<https://www.schmalz.com/10.01.01.00556>

Homepage > Vacuum Technology for Automation > Vacuum Components > Vacuum Suction Cups > Suction Cups for Handling Sheet Metal >

Flat Suction Cups PFYN VU1 > PFYN 15 VU1-72 G1/8-AG

Flat suction cup (round) for smooth or slightly rough surfaces



Size: 15

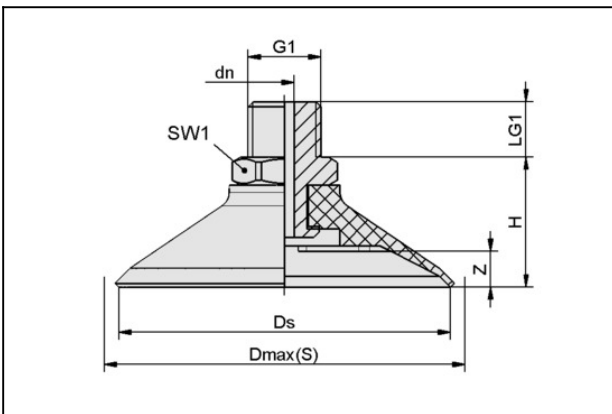
Suction cup material: Vulkollan VU1

Material hardness: 72 °Sh

Nipple material: Aluminium

Vacuum connection: G1/8"-M

Design Data



Attribute	Value
Dmax(S)	17.5 mm
dn	2 mm
Ds	14.5 mm
G1	G1/8"-M
LG1	8 mm
SW1	14 mm
Z (Stroke)	1.5 mm

Technical Data

Attribute	Value
Size	15

Contact to Schmalz

Schmalz (Shanghai) Co. Ltd. | 1 Chun Quan Lu, Pudong Xinqu, Shanghai Shi, China | +86 21 5109 9933 | schmalz@schmalz.net.cn

Flat suction cup (round)

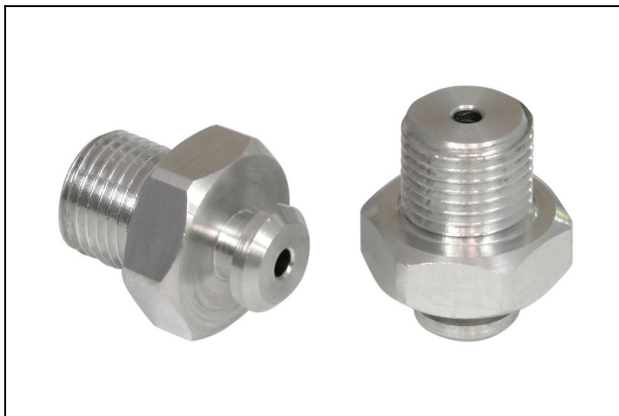
PFYN 15 VU1-72 G1/8-AG

Part no.:10.01.01.00556

<https://www.schmalz.com/10.01.01.00556>

Attribute	Value
Suction cup material	Vulkollan VU1
Suction force	8.5 N
Volume	0.5 cm ³
Curve radius (min) (convex)	12.5 mm
Nipple family	N 005
Material hardness [Shore A]	72
Weight	6.4 g
Number of folds	0
Product family	PFYN

Spare Parts



SA-NIP N005 G1/8-AG DN200

Part no.10.01.01.03529

Suction cup connection nipple

Nipple: N 005

Thread G1: G1/8"-M

Overall length: 17.5 mm

Fitting length: 5 mm

Nominal size: 2.00 mm

Material: Aluminium



PFG 15 VU1-72 N005

Part no.10.01.01.00555

Flat suction cup (round) for smooth or slightly rough surfaces

Size: 15

Suction cup material: Vulkollan VU1

Material hardness: 72 °Sh

Flat suction cup (round)

PFYN 15 VU1-72 G1/8-AG

Part no.:10.01.01.00556

<https://www.schmalz.com/10.01.01.00556>

