

Suction plate (round)

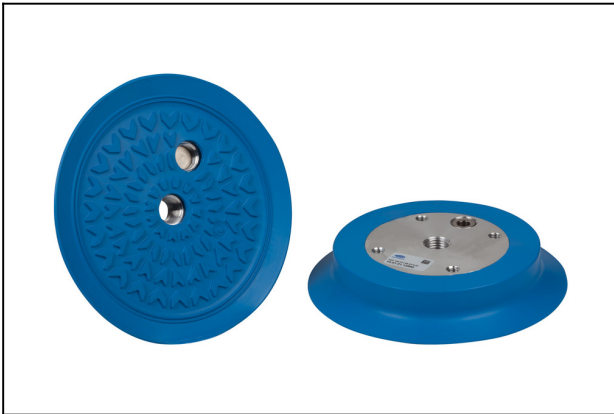
SGF 125 HT1-60 G1/4-IG

Part no.:10.01.01.12892

<https://www.schmalz.com/10.01.01.12892>

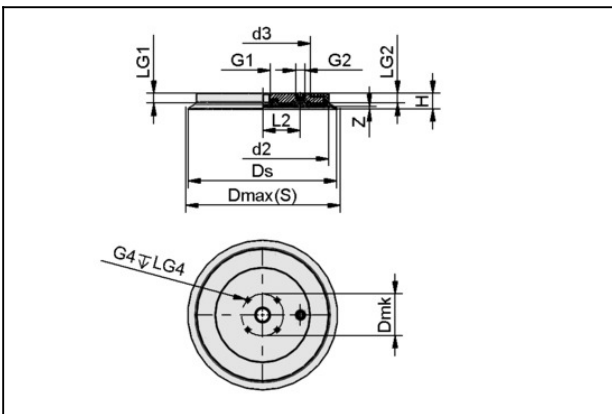
Homepage > Vacuum Technology for Automation > Vacuum Components > Vacuum Suction Cups > Suction Cups for Handling Glass > Suction Plates SGF > SGF 125 HT1-60 G1/4-IG

Flat suction cup (round) for highly dynamic handling of glass



Size: 125
 Suction cup material:
 High temp material HT1
 Material hardness: 60 °Sh
 Connection: G1/4"-F

Design Data



| Attribute | Value |
|------------|---------|
| d2 | 100 mm |
| d3 | 70 mm |
| Dmax(S) | 130 mm |
| Ds | 123 mm |
| G1 | G1/4"-F |
| G2 | G1/4"-F |
| H | 21.4 mm |
| L2 | 26.5 mm |
| LG1 | 14 mm |
| LG2 | 14 mm |
| Z (Stroke) | 3 mm |
| Dmk | 58.3 mm |
| G4 | M6-F |

Suction plate (round)

SGF 125 HT1-60 G1/4-IG

Part no.:10.01.01.12892

<https://www.schmalz.com/10.01.01.12892>



| Attribute | Value |
|-----------|---------|
| LG4 | 10.5 mm |

Technical Data

| Attribute | Value |
|-----------------------------|------------------------|
| Suction force | 730 N |
| Suction force d2 | 470 N |
| Volume | 43.784 cm ³ |
| Curve radius (min) (convex) | 1,500 mm |
| Hose diameter (empf.) d | 9 mm |
| Size | 125 |
| Number of folds | 0 |
| Suction cup material | High temp material HT1 |
| Material hardness [Shore A] | 60 |
| Weight | 300 g |
| Product family | SGF |

Note: Suction force: The specified suction forces are theoretical values at a vacuum of -0.6 bar and with a smooth, dry workpiece surface - they do not include a safety factor Pull-off force: The pull-off force of the versions made of natural rubber is reduced by about 40% Hose diameter: The recommended hose diameter refers to a hose length of approx. 2 m

Spare Parts

Contact to Schmalz

Schmalz (Shanghai) Co. Ltd. | 1 Chun Quan Lu, Pudong Xinqu, Shanghai Shi, China | +86 21 5109 9933 | schmalz@schmalz.net.cn

Suction plate (round)

SGF 125 HT1-60 G1/4-IG

Part no.:10.01.01.12892

<https://www.schmalz.com/10.01.01.12892>



VRS-S G1/4-AG

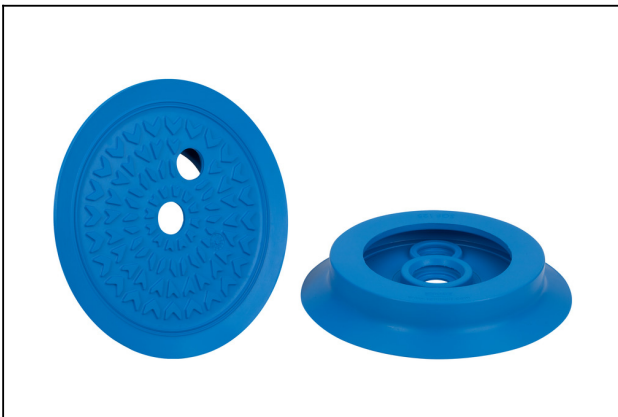
Part no.10.08.06.00048

Sealing screw without collar

Thread 1: G1/4"-M

Material: Brass

Surface: nickel plated



DR-SGF 125 HT1-60

Part no.10.01.01.12890

Rubber Seal for SGF suction cup

Size: 125

Suction cup material:

High temp material HT1

Material hardness: 60 °Sh

Accessories



TV G1/4-AG 13

Part no.10.05.10.00061

Touch valve for deactivation of unused suction cups or vacuum blocks

Thread G1: G1/4"-M

Spring stroke Z: 13 mm

Suction plate (round)

SGF 125 HT1-60 G1/4-IG

Part no.:10.01.01.12892

<https://www.schmalz.com/10.01.01.12892>



SIEB 19.5x1 MS 100

Part no.10.07.01.00215

Screen

External diameter D: 19.5 mm

Length L: 1 mm

Material: Brass

Filter pore size: 100 µm



PC 125

Part no.10.01.01.13086

Cover for suction cup

Size: 125



SU 120

Part no.10.01.01.12437

Cover for suction cup

Size: 120

Clamping range: 115.0 ... 130.0 mm

Temperature resistance: 80 °C

Suction plate (round)

SGF 125 HT1-60 G1/4-IG

Part no.:10.01.01.12892

<https://www.schmalz.com/10.01.01.12892>



FLK-HD G3/8-AG

Part no.10.07.06.00235

Flexible suction cup mounting for adaptation to sloping surfaces

Thread G1: G3/8"-M

Thread G2: M6-M

Ambient temperature: -5 ... 130 °C



FLK-HD G1/4-IG

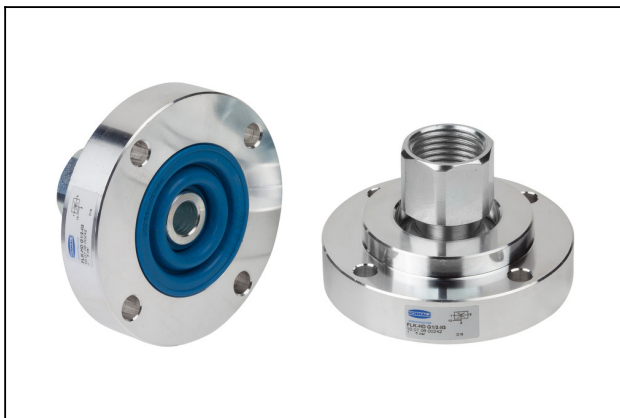
Part no.10.07.06.00241

Flexible suction cup mounting for adaptation to sloping surfaces

Thread G1: G1/4"-F

Thread G2: M6-M

Ambient temperature: -5 ... 130 °C



FLK-HD G1/2-IG

Part no.10.07.06.00242

Flexible suction cup mounting for adaptation to sloping surfaces

Thread G1: G1/2"-F

Thread G2: M6-M

Ambient temperature: -5 ... 130 °C